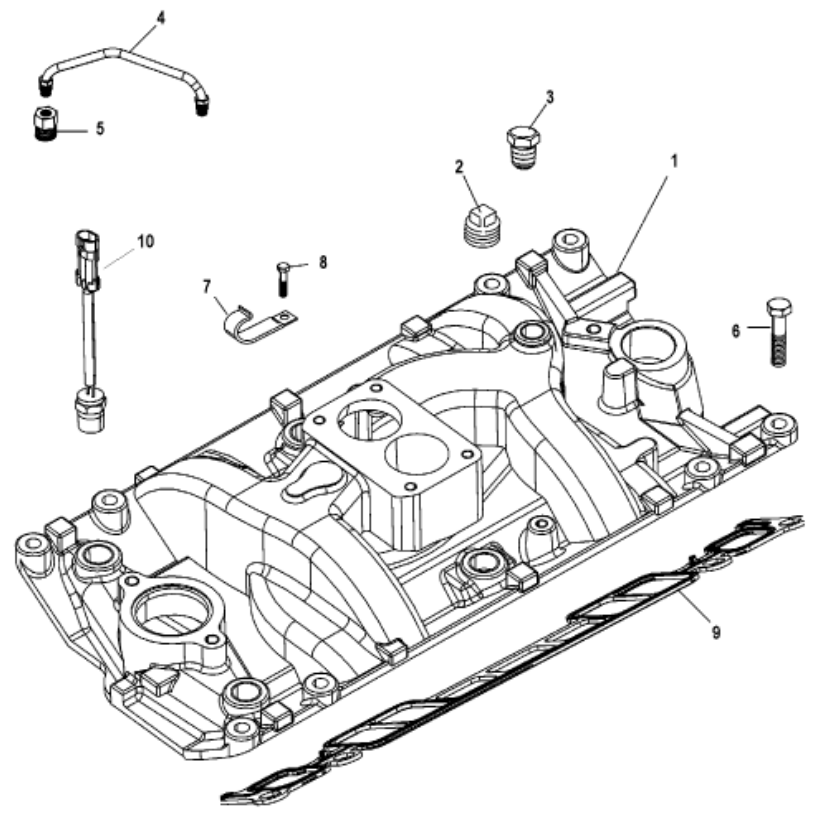


Parts List



12494

Ref	Class	Part	Description	Qty	Comment	Footnote
1		860100A 1	INTAKE MANIFOLD	1		
2	22	37372	PLUG, Pipe (.500)	2		
3	22	48358	PLUG, (.375)	1		
4	32	865100	TUBE	1		
5	22	805563	CONNECTOR, (.500 Inch NPTF Tc	1		
6	10	808010	SCREW, (.312-24 x 1.375)	8		
7	54	73668	J-CLIP	1		
8	10	86750	SCREW, (.312-18 x .620)	1		
9	27	807473A 1	GASKET SET	1		2
10	87	866089	THERMAL SWITCH, (Normally Op	1		
-	27	861246A05	GASKET SET, Engine Overhaul	1		